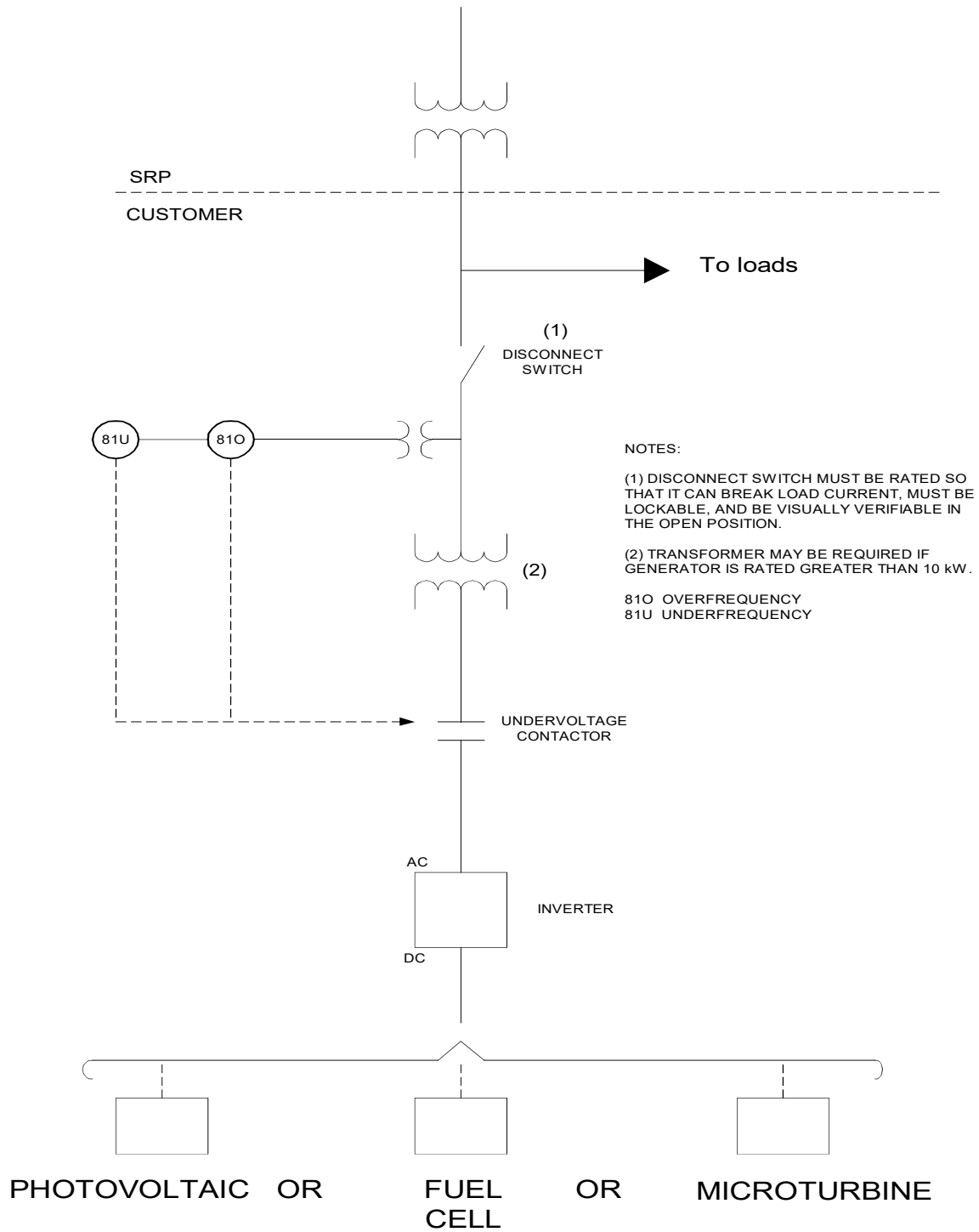
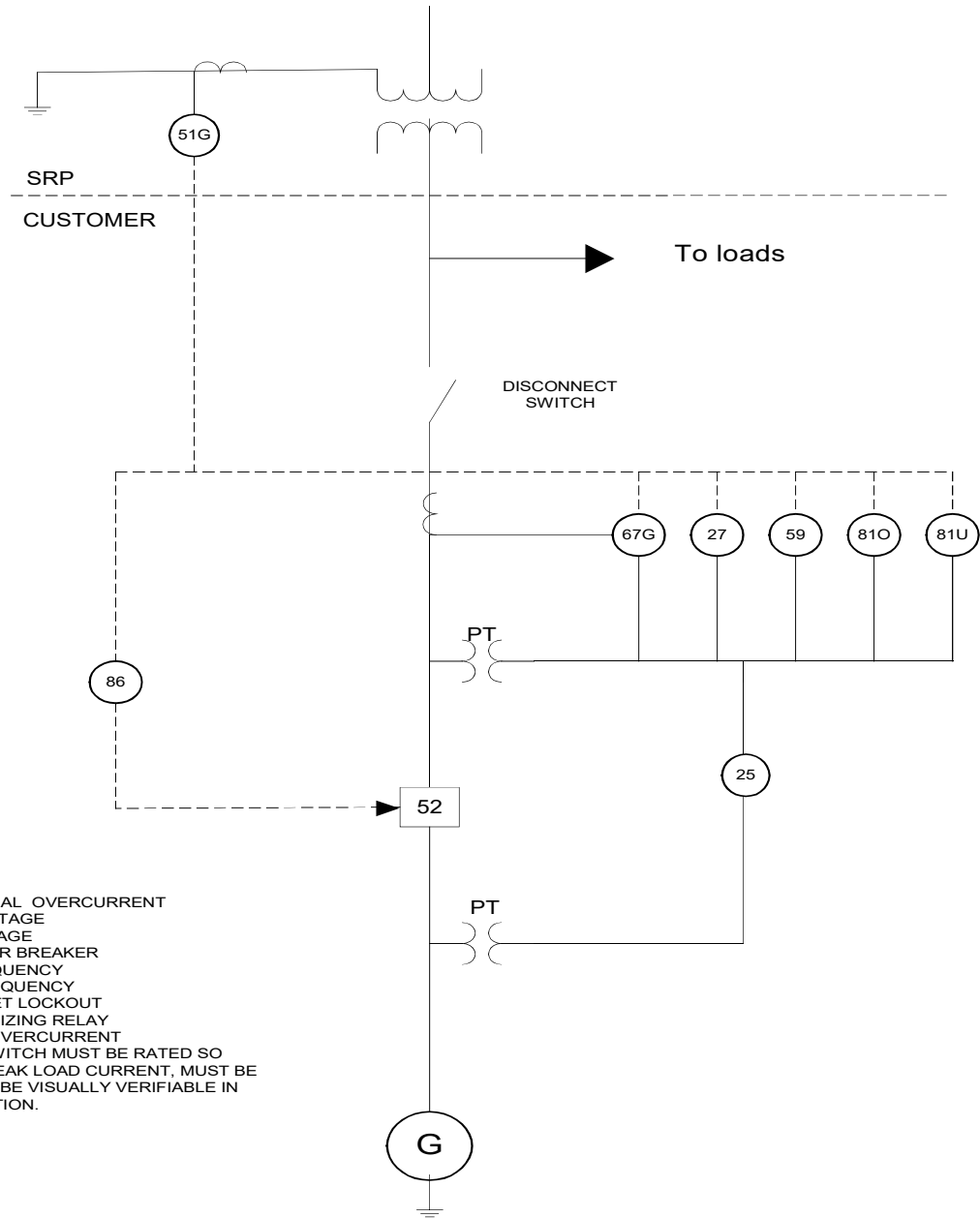


APPENDIX A

SAMPLE SYSTEM ONE LINE DIAGRAMS

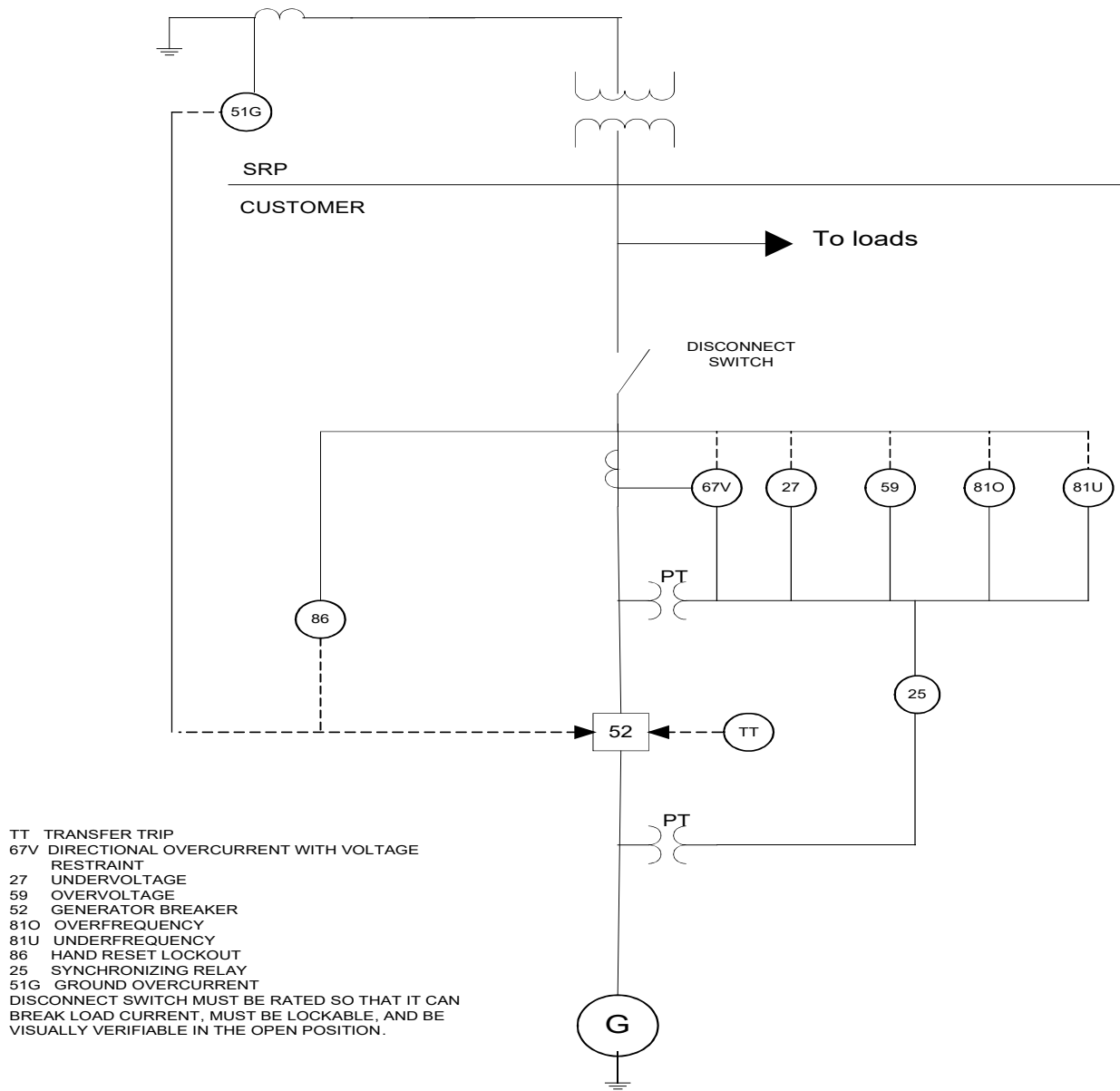


**TYPICAL MINIMUM REQUIREMENTS
CLASS I GENERATOR WITH INVERTER
(UP TO 50 kW)**



- 67G DIRECTIONAL OVERCURRENT
 - 27 UNDERVOLTAGE
 - 59 OVERVOLTAGE
 - 52 GENERATOR BREAKER
 - 81O OVERFREQUENCY
 - 81U UNDERFREQUENCY
 - 86 HAND RESET LOCKOUT
 - 25 SYNCHRONIZING RELAY
 - 51G GROUND OVERCURRENT
- DISCONNECT SWITCH MUST BE RATED SO THAT IT CAN BREAK LOAD CURRENT, MUST BE LOCKABLE, AND BE VISUALLY VERIFIABLE IN THE OPEN POSITION.

**TYPICAL MINIMUM REQUIREMENTS
CLASS II SYNCHRONOUS GENERATOR
(51-300 kW, NO TRANSFER TRIPPING REQUIRED)**



**TYPICAL MINIMUM REQUIREMENTS
 CLASS III SYNCHRONOUS GENERATOR
 (301- 5,000 kW; WITH TRANSFER TRIPPING)**