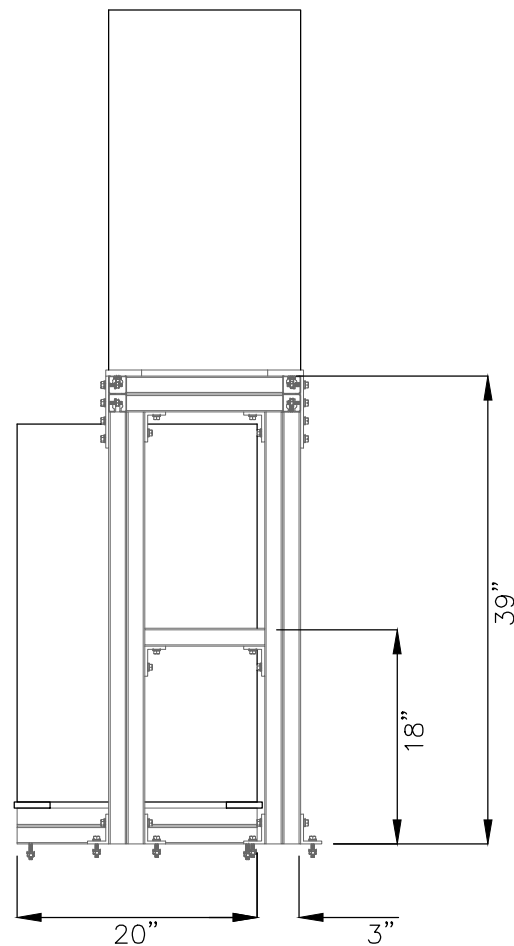
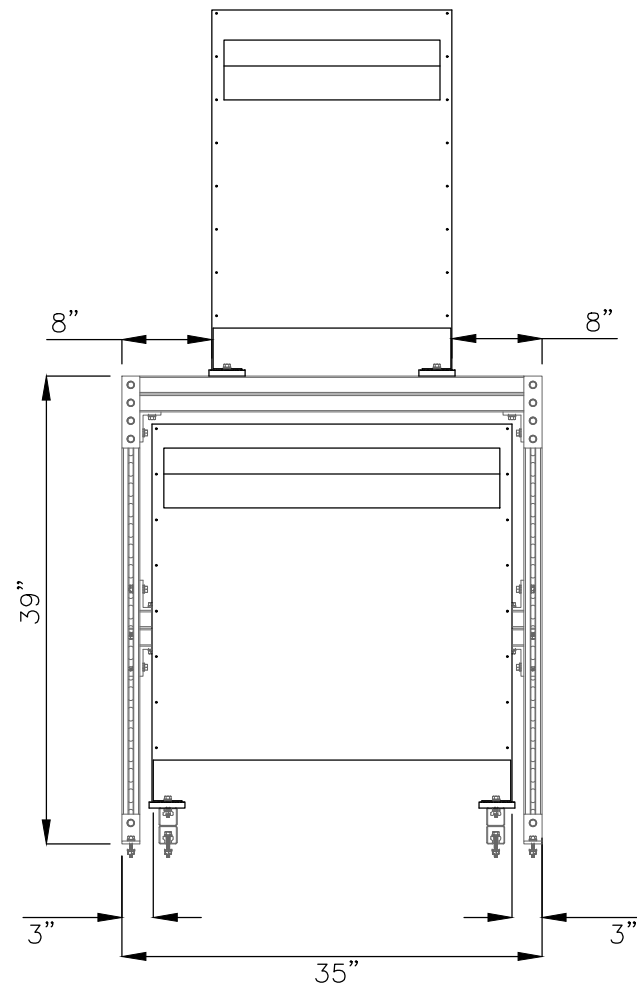


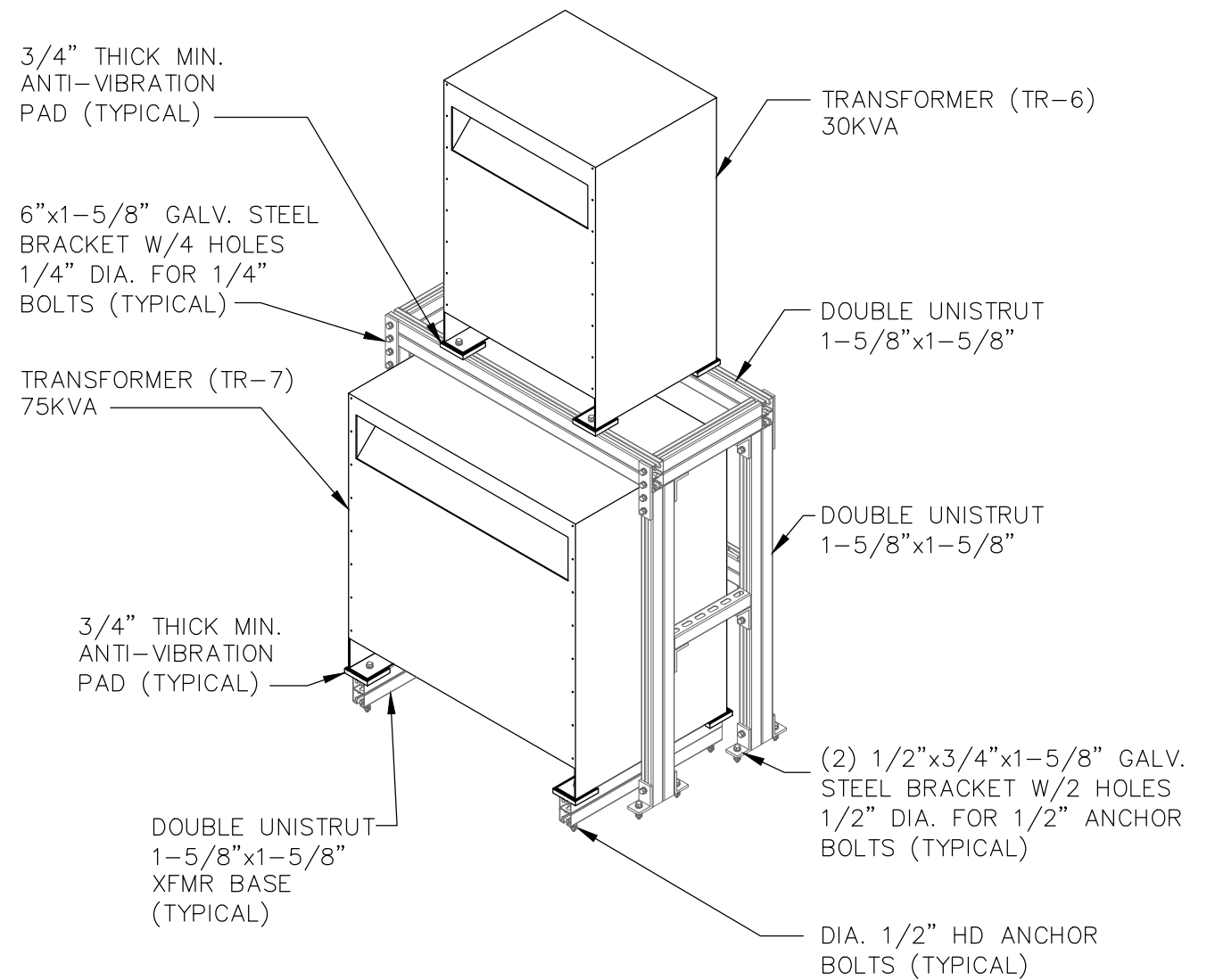
PLAN VIEW



SIDE VIEW



FRONT VIEW



NOTES:

A. TRANSFORMER SUPPORTS SHALL BE SIZED AS REQUIRED. MAINTAIN ALL CODE REQUIRED CLEARANCE AND MANUFACTURES SPECIFICATIONS.



TRANSFORMER STACKING

REV. NO. 001	DWG. NO.
REV. DATE : 09-10-20	ELD-007
DRAWN BY : R Montoya	SCALE : NTS