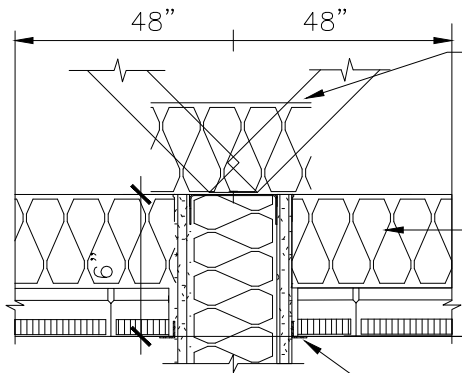


*NOTE: WALLS AND PARTITIONS SHALL RESIST 5 PSF(MIN) LATERAL LOAD

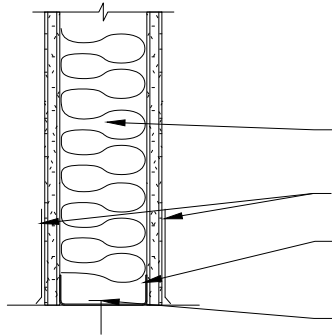


PROVIDE 3-5/8"x20 GA. STUD DIAG. BRACING AT 4'-0" O.C. TO STRUCTURE ABOVE FOR EVERY 8 LINEAL FEET OF WALLS UNSUPPORTED BY PERPENDICULAR WALLS. ALTERNATE DIAGONAL BRACING WHERE REQUIRED

PROVIDE 6" THICK X 48" WIDE ACOUSTICAL SOUND BATTS, AS SHOWN

REF. RCP

SUSPENDED ACOUSTICAL CEILING TILE AND GRID



SOUND ATTENUATING BLANKET

RUBBER BASE

3-5/8" OR 6" X 20 GA. STUDS AT 16" O.C. PAINTED 5/8" GYP. BD. EA SIDE

1/4" Ø X 1" L RAMSET/REDHEAD POWDER ACTUATED FASTENERS AT 48" O.C. PER ICBO #1639. ATTACH TO SLAB



WALL AT 6" ABOVE CEILING TILE WITH INSULATION

REV. NO. 000

REV. DATE : 02-01-2021

DRAWN BY : NBS

DWG. NO.

AW-01

SCALE :

1 1/2" = 1'-0"