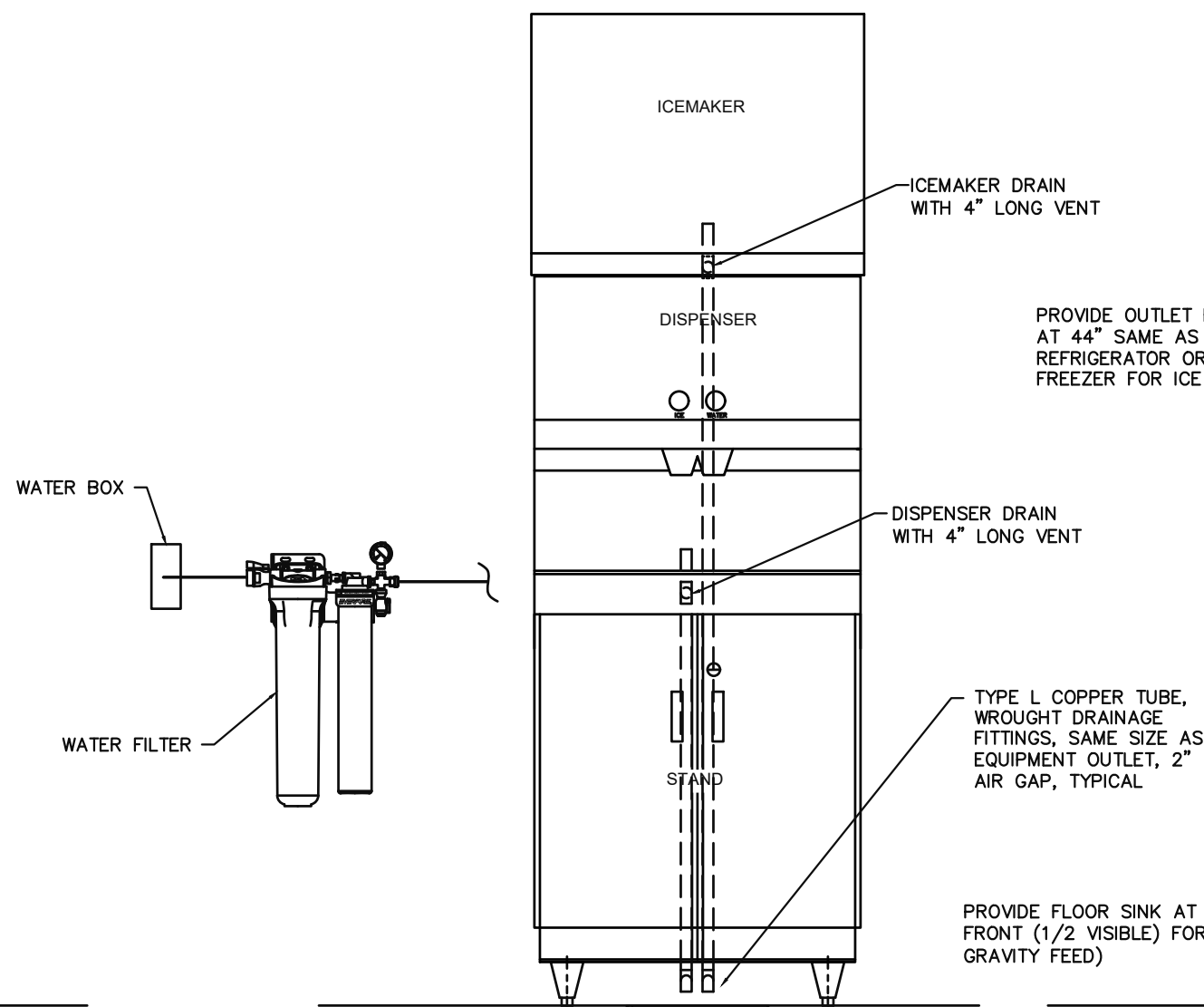
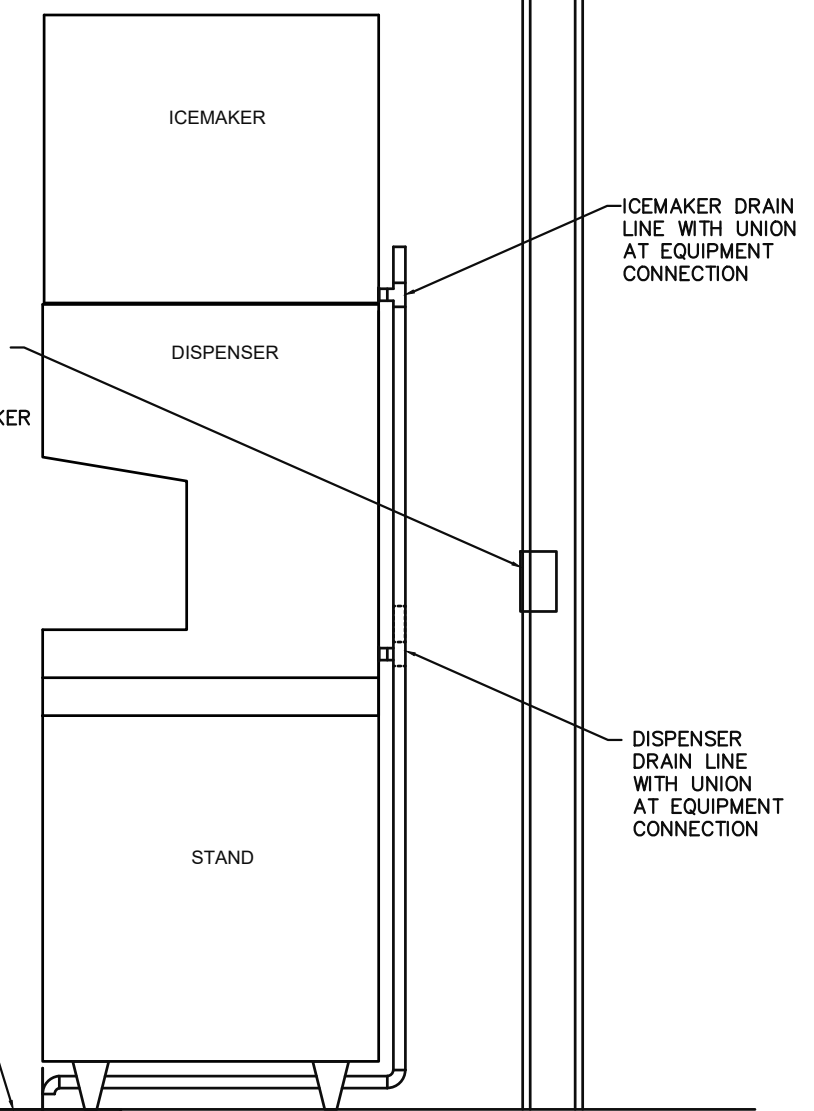


ALTERNATE DRAINAGE PIPING ARRANGEMENT



WATER FILTER-ICEMAKER-DISPENSER PLACEMENT



ICE MAKER & DISPENSER PLUMBING

REV. NO. 01	DWG. NO.
REV. DATE : 04-13-2026	PL-208
DRAWN BY : NBS	SCALE : 3/4" = 1'-0"