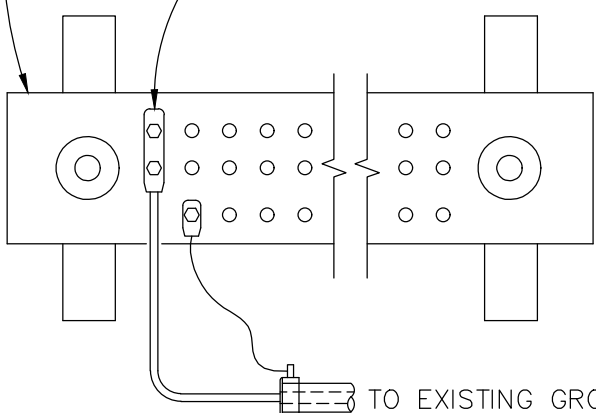
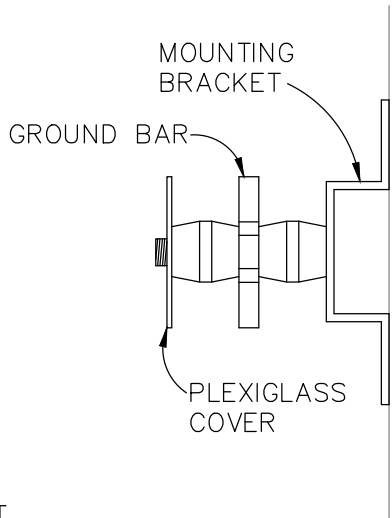


THERMOWELD UL LISTED GROUND BAR
 MODEL #CB14412JP WITH PLEXIGLAS
 COVER. 1/4"x4"x12 COPPER BUS
 BAR, PATTERN J W/INSULATORS &
 BRACKETS.

NEMA STANDARD 2-HOLE
 COMPRESSION TYPE LUG



ELEVATION



SECTION



GROUND BAR

REV. NO. 001	DWG. NO.
REV. DATE : 11-6-20	ELD-009
DRAWN BY : R Montoya	SCALE : NTS