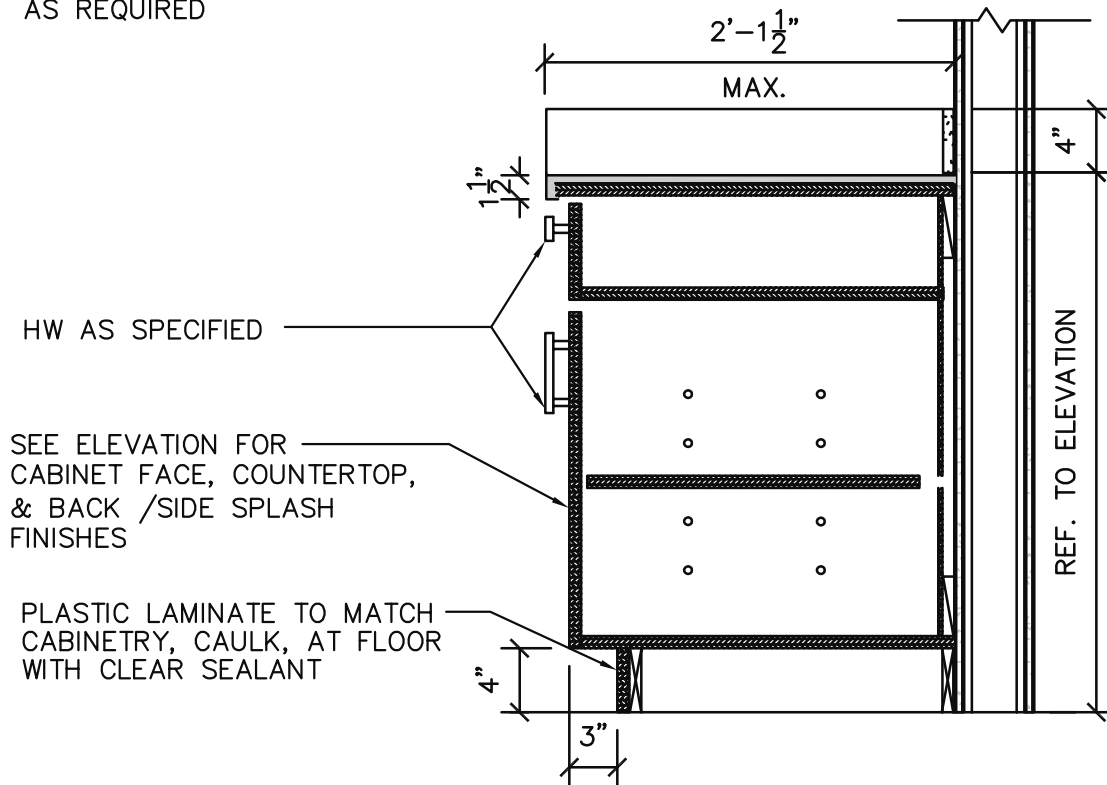


NOTE: G.C. TO PROVIDE  
BLOCKING IN STUD WALL  
AS REQUIRED



BASE CABINET WITH DRAWER

REV. NO. 001

REV. DATE : 01-22-2021

DRAWN BY : NBS

DWG. NO.

MW-02

SCALE : 1" = 1'-0"