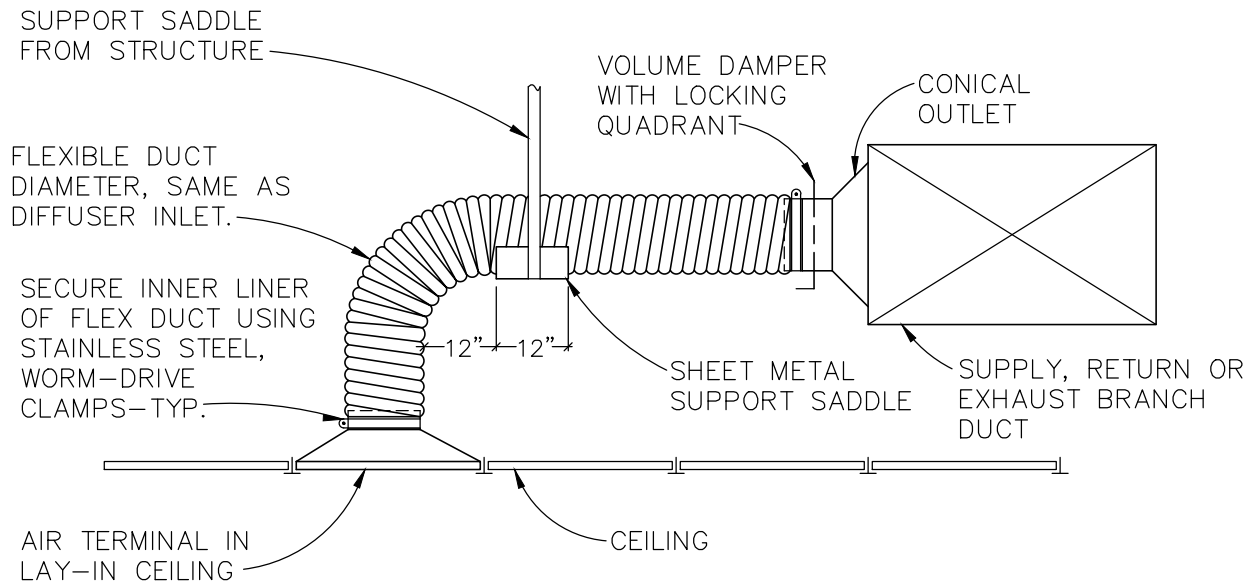


NOTES:

1. LIMIT BENDS IN FLEX DUCT TO 135° AND RADIUS TO 1.5 x DUCT DIAMETER.
2. LIMIT TOTAL LENGTH OF FLEX DUCT TO 5'-0".
3. SUPPORT IS REQUIRED FOR FLEXIBLE DUCTS OVER 4'-0" IN LENGTH.



FLEX DUCT DETAIL

REV. NO. 001

REV. DATE : 10-13-20

DRAWN BY : NBS

DWG. NO.

MP-007

SCALE : NTS